




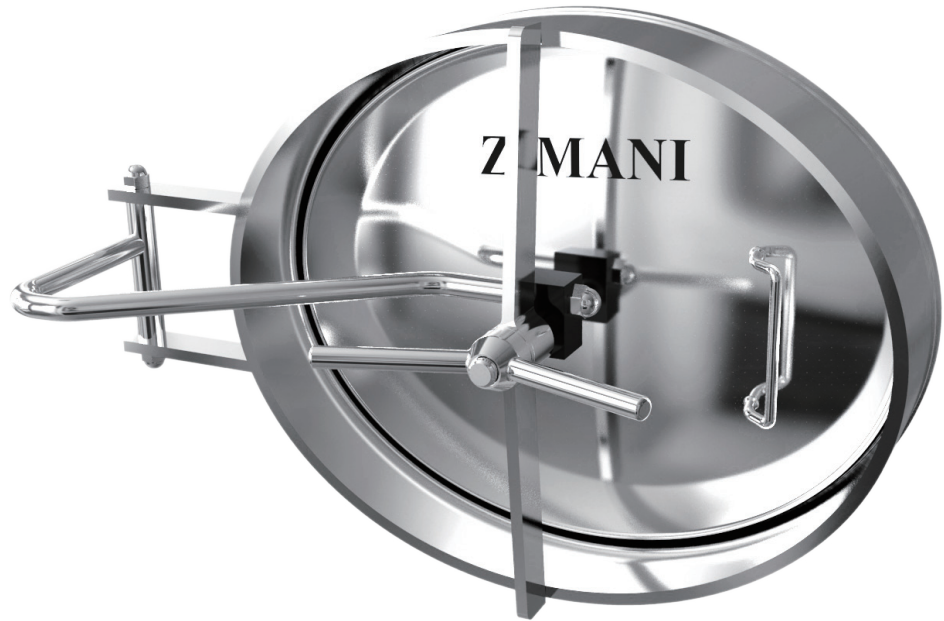


-  **OVAL Manwaydoor inwards opening**
-  **Porte OVALE avec ouverture à l'intérieur**
-  **Ovale Mannlochtür, schwenkbar nach innen (Innenöffnung)**
-  **Puerta OVAL de apertura interna**
-  **Portella Ovale apertura interna**



- ◆ 7026 430
- ◆ 7026 450
- ◆ 7026 535
- ◆ 7026 635

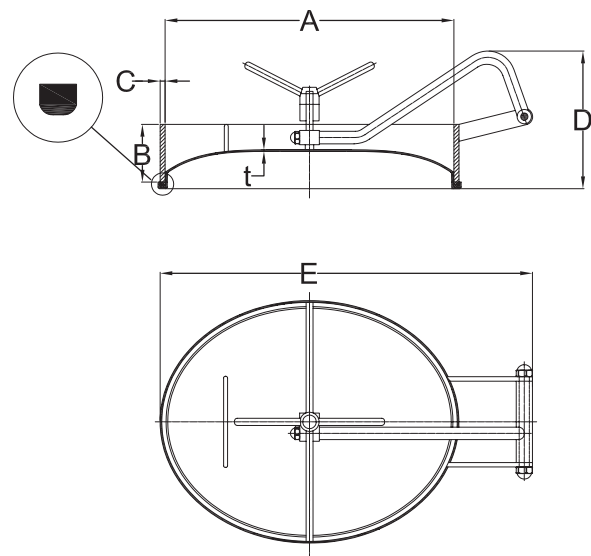


**STANDARD SIZE/\*** At temperature 50°C /122 °F

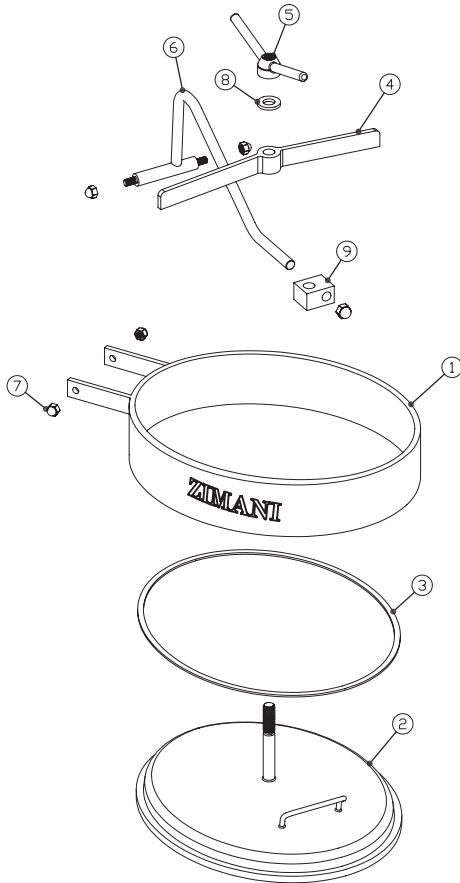
CODE	A	C	B	T	P.MAX
	mm	mm	mm	mm	bar
7026 430	412×312	8	75	2.5/3.0	3.0
7026 450	434×334	8	75	3.0	2.5
7026 535	515×415	10	75	3.0	2
7026 635	611×501	12	100	4.0	1.5

IF YOU WANT TO CHECK FOR MORE DETAILS  
PLEASE CHECK THE FOLLOWING DRAWING

\*1BAR ≈14.5PSI=0.1MPA



## NKD Parts Drawing



### GASKET

Part No.	Material	Color
7010 06 1	Silicon	White
7010 06 2	EPDM	Black
7010 06 3	FPM	Black

Item	Description	Material	Qty
1	Frame	1.4301/1.4404	1
2	Cover	1.4301/1.4404	1
3	Gasket	EPDM	1
4	Bracket	T304	1
5	Top nut	Plastic/T304	1
6	Suspension arm	T304	1
7	Nut	T304	5
8	Trust collar	T304	1
9	Hub	T304	1

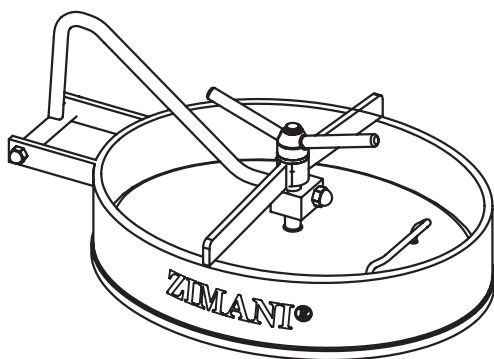
## NKD Technology

### TECHNICAL DATA

Working pressure: . . . . . Acc. to table standard size.

### Certificates

EN10204. 3.1 certificate



## Options

### Stainless Steel Finishes

POLISHED WITH RA ( $\mu$ )

BEAD BLASTED

PICKLED : ON REQUEST

ELECTRO POLISHED

### Cover & Frame Range

Cover Thickness	Frame/Neck Height
2.5mm	75mm (2.95")
3.0mm	100mm (3.94")
4.0mm	120mm (4.72")
	150mm (5.91")
	200mm (7.76")

Note: Longer heights are also available.