






-  Non-pressure hygienic access covers
-  Trappes sans pression
-  Drucklose Domdeckel
-  Bocas de hombre sin presión
-  Chiusino circolare



- ◆ 7016 450
- ◆ 7016 500
- ◆ 7016 600

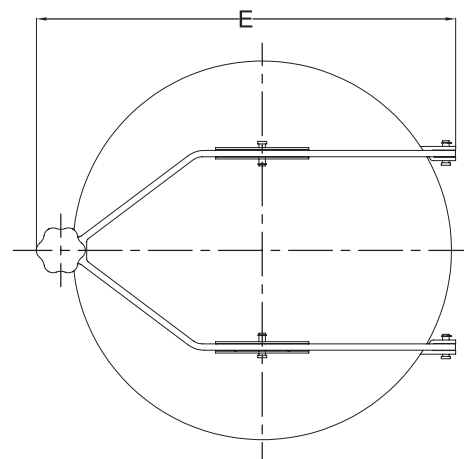
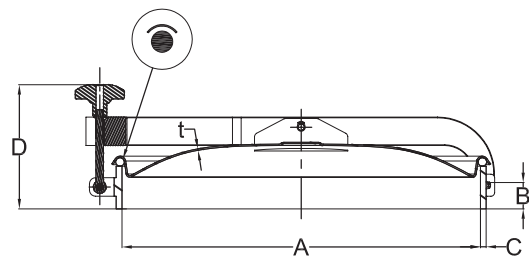


STANDARD SIZE/* At temperature 50°C /122 °F

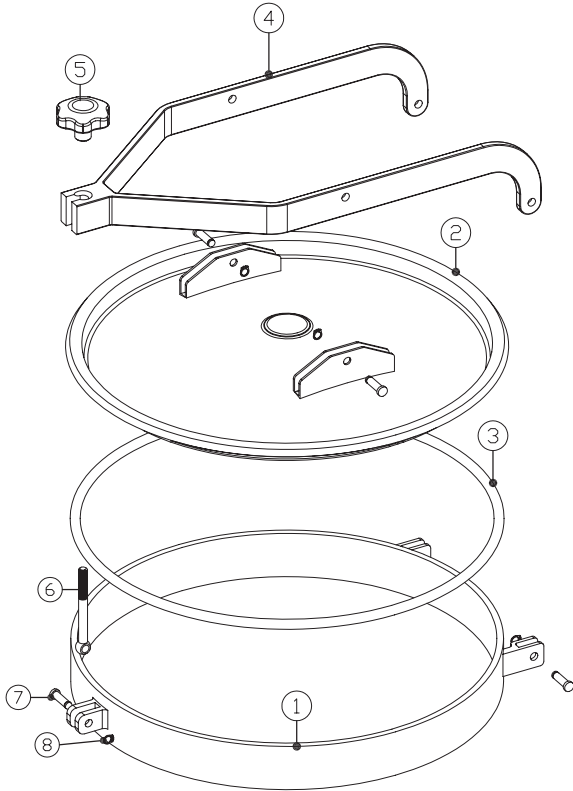
CODE	A	OD×C	B	T	P.MAX
	mm	mm	mm	mm	bar
7016 450	434	450×8.0	85	2.0	0.4
7016 500	484	500×8.0	85	2.0	0.3
7016 600	584	600×8.0	85	2.0	0.2

IF YOU WANT TO CHECK FOR MORE DETAILS
PLEASE CHECK THE FOLLOWING DRAWING

*1BAR ≈14.5PSI=0.1MPA



CNPE Parts Drawing



GASKET

Part No.	Material	Color
7010-02 1	Silicon	White
7010-02 2	EPDM	Black
7010-02 3	FPM	Black

Item	Description	Material	Qty
1	Frame	1.4301/1.4404	1
2	Cover	1.4301/1.4404	1
3	Gasket	Silicon	1
4	Bracket	T304	1
5	Handle	Plastic/T304	1
6	Swing bolt	T304	1
7	Pin	T304	4
8	Lock ring	T304	4

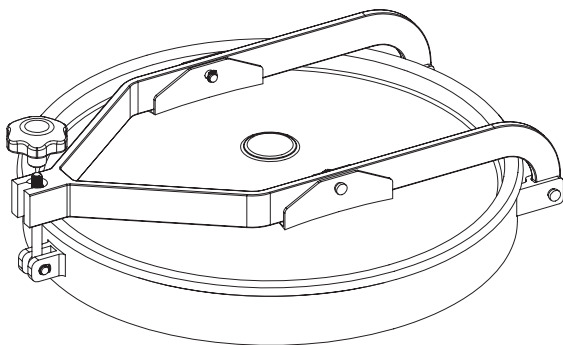
CNPE Technology

TECHNICAL DATA

Working pressure:Acc. to table standard size.

Certificates

3.1 certificate



Options

Stainless Steel Finishes

POLISHED WITH RA (μ)

BEAD BLASTED

PICKLED : ON REQUEST

ELECTRO POLISHED

Cover & Frame Range

Cover Thickness	Frame/Neck Height
-----------------	-------------------

2.0mm	85mm (3.35")
-------	--------------

2.5mm	100mm (3.94")
-------	---------------

Note: Longer heights are also available.