






# ONP-2 type

# ZIMANI

Explore and Discover

7033

-  **OVAL Manwaydoor outwards opening**
-  **Porte Ovale avec ouverture à l'extérieur**
-  **Ovale Mannlochtür, schwenkbar nach außen (außenöffnung)**
-  **Puerta Oval de apertura externa**
-  **Portella Ovale apertura esterna**



◆ 7033 420

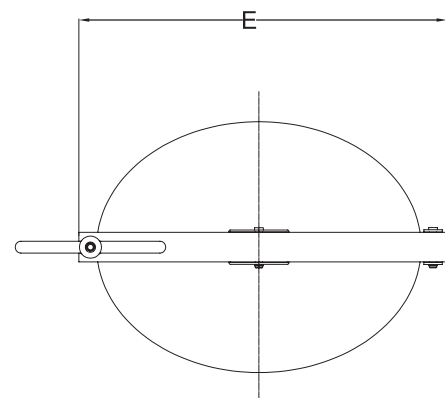
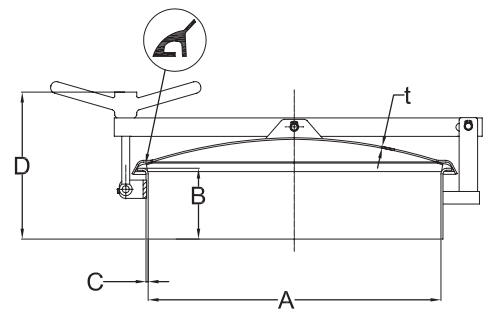


**STANDARD SIZE/\*** At temperature 50°C /122 °F

CODE	A	C	B	T	P.MAX
	mm	mm	mm	mm	bar
7033 420	414×294	3	100	3.0	0.1

IF YOU WANT TO CHECK FOR MORE DETAILS  
PLEASE CHECK THE FOLLOWING DRAWING

\*1BAR =14.5PSI=0.1MPA



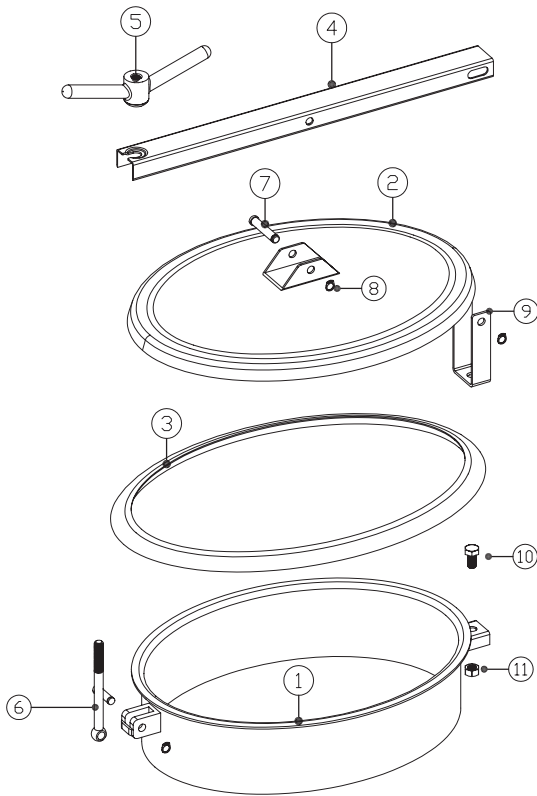
# ONP-2 type

# ZIMANI

Explore and Discover

7033

## ONP-2 Parts Drawing



### GASKET

Part No.	Material	Color
7010-01 1	Silicon	White
7010-01 2	EPDM	Black
7010-01 3	FPM	Black

Item	Description	Material	Qty
1	Frame	1.4301/1.4404	1
2	Cover	1.4301/1.4404	1
3	Gasket	Silicon	1
4	Bracket	T304	1
5	Handle	T304	1
6	Swing bolt	T304	1
7	Pin	T304	2
8	Lock ring	T304	2
9	Back hinge support	T304	1
10	Screw	T304	1
11	Nut	T304	1

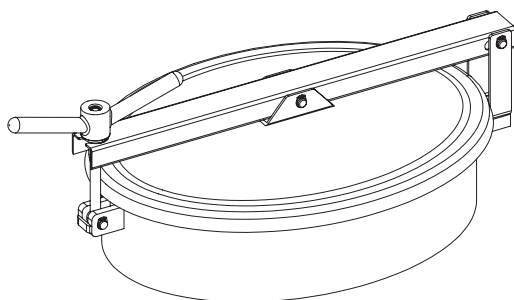
## ONP-2 Technology

### TECHNICAL DATA

Working pressure: . . . . . Acc. to table standard size.

### Certificates

EN10204. 3.1 certificate



## Options

### Stainless Steel Finishes

POLISHED WITH RA (μ)

BEAD BLASTED

PICKLED : ON REQUEST

ELECTRO POLISHED

### Cover & Frame Range

Cover Thickness	Frame/Neck Height
2.5mm	80mm (3.15")
3.0mm	100mm (3.94")
	120mm (4.72")
	150mm (5.91")
	200mm (7.76")

Note: Longer heights are also available.